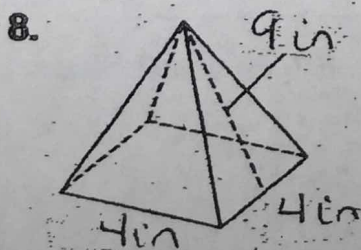
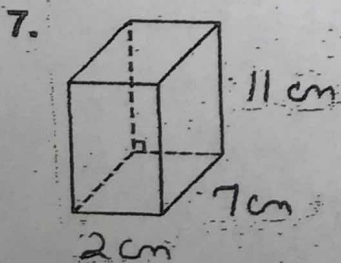
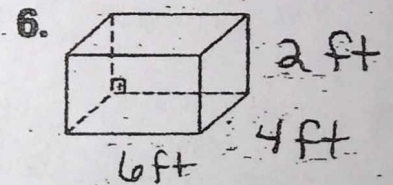
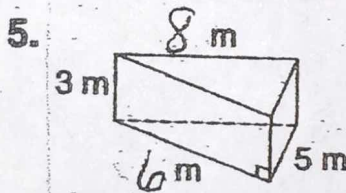
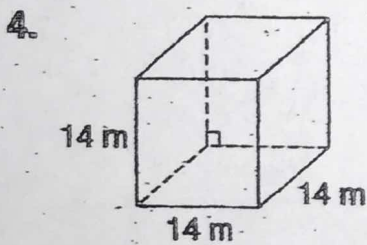
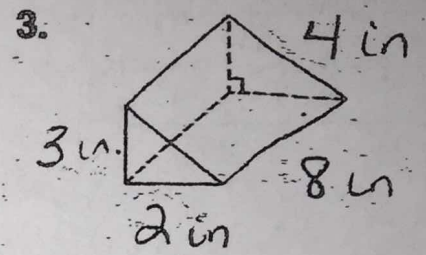
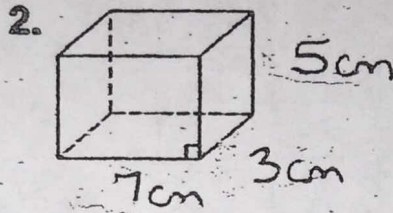
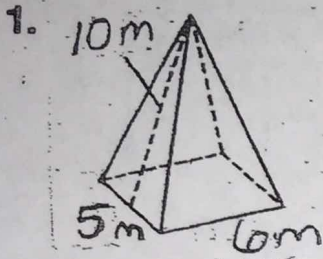


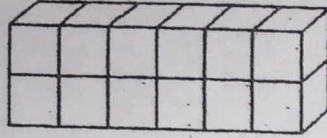
LESSON
8-7 **Practice**
Surface Area of Prisms

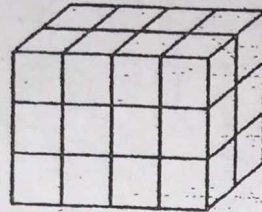
Find the surface area of each figure to the nearest tenth.

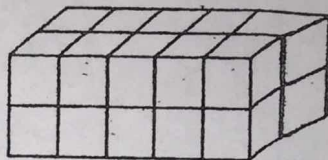


LESSON 10-2 **Practice B**
Volume of Prisms and Cylinders

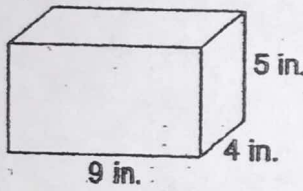
Find how many cubes each prism holds. Then give the prism's volume.

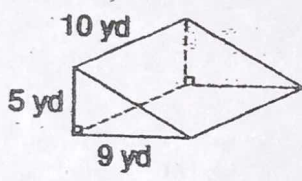
1. 

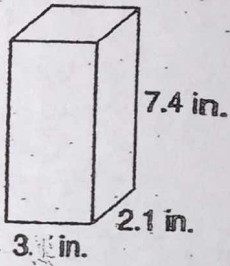
2. 

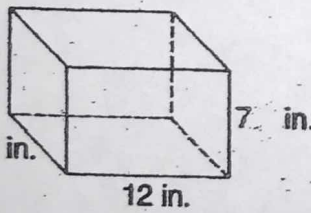
3. 

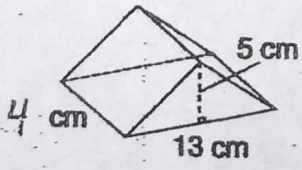
Find the volume of each figure.

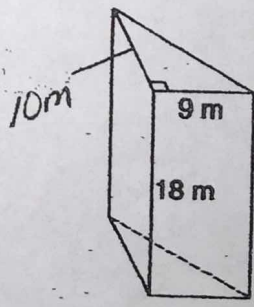
4. 

5. 

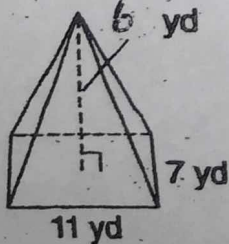
6. 

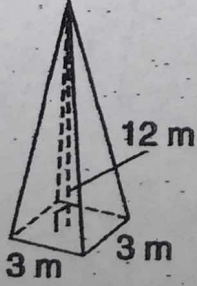
7. 

8. 

9. 

Find the volume of each pyramid to the nearest tenth.

1. 

2. 

3. 